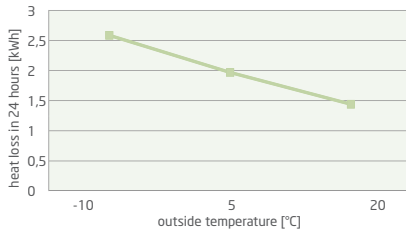


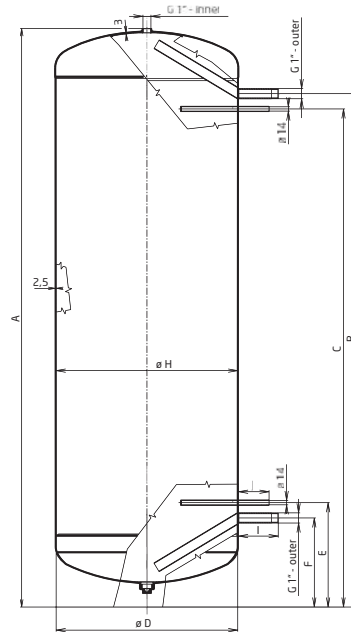
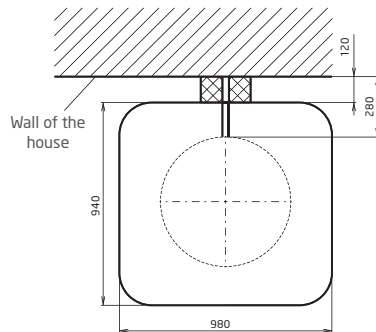
Maximum pressure in the tank	0.3 MPa
Maximum heating water temperature in the tank	80 °C

NAD 500 v8

Heat loss of NAD 500 v8 for humidity 52%



The recommended distance of installation between accumulation tank and your house



The new accumulation tank **NAD 500 v8** is equipped with a top quality and reinforced outdoor insulation, which allows year-round outdoor operation with minimum heat loss. The outdoor tank saves space in your house and its surface allows coating with an exterior paint. Before coating the tank with the exterior paint, contact manufacturer of the paint!



Volume [l]	Diameter D [mm]	A	B	C	E	F	H	I	J
500	595	1895	1682	1632	342	292	600	130	100